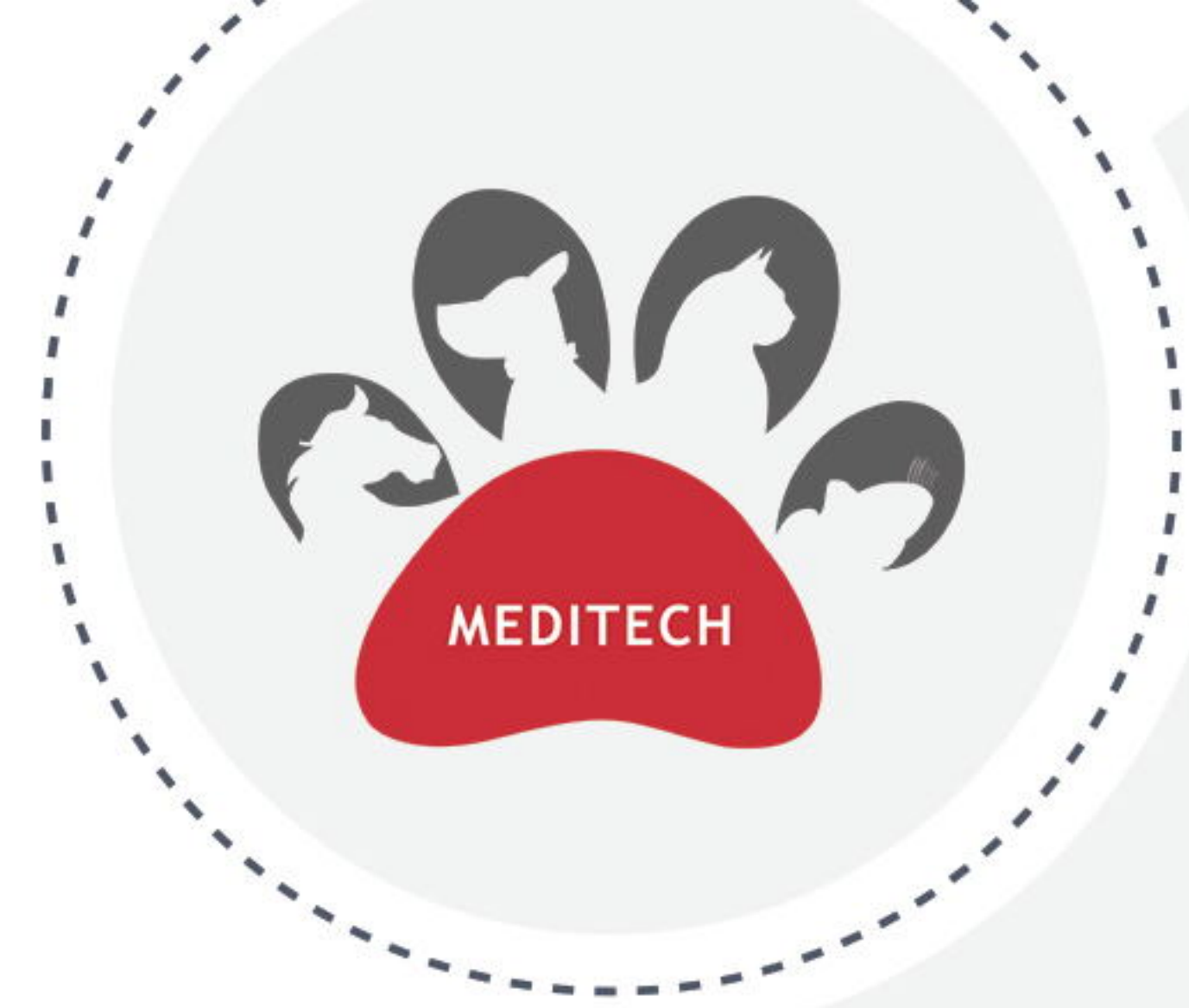




PRODUCT DESCRIPTION

TA60V is a high-end anesthesia machine used in animal hospitals. The design of the product adheres to the concept of anesthesiologists-oriented, completely abandoning the design idea of traditional animal anesthesia machines that only considers product costs.

Through the innovation of product structure and circuit module design, all the gauges and main operating elements of TA60V are arranged on the front of the product to facilitate the operation and observation, and also realize a variety of installations and applications such as wall-mounted, desktop and stand for one model.



VETERINARY ANESTHESIA MACHINE TA60V

Multiple Installations and Applications,
Convenient and Safe.



PRODUCT HIGHLIGHT



Multi-applications, Multi-installations

Rebreathing anaesthesia and non-rebreathing anaesthesia; stand, desktop, wall-mounted installations.

Selectatec® Vaporizer

Selectatec® standard vaporizer, easy replacement; sevoflurane, enflurane, isoflurane optional.

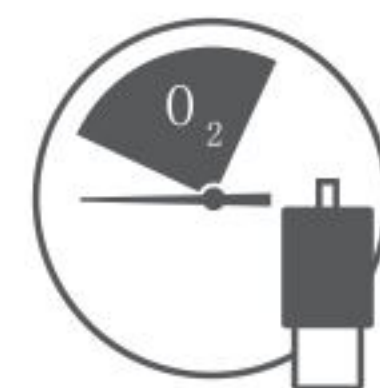


Independent non-rebreathing Circuit

All-metal AC GO switch and independent AC GO port to ensure one-step switching between rebreathing anaesthesia and non-rebreathing anaesthesia.

Oxygen Pressure Security

Oxygen pressure gauge, oxygen pressure status is clear; built-in safety valve ensures product safety.

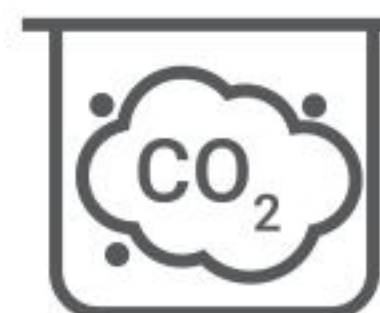


Airway Pressure Management

Pre-calibrated APL valve, set airway pressure level in one step; APL valve button closes the airway by one-step; vertical pressure airway gauge, airway pressure status is under control.

Large Capacity CO₂ Absorber Canister

Lever mechanism, locking and unlocking by only one-step; 1400ml super large capacity CO₂ absorber canister.



PRODUCT SPECIFICATIONS

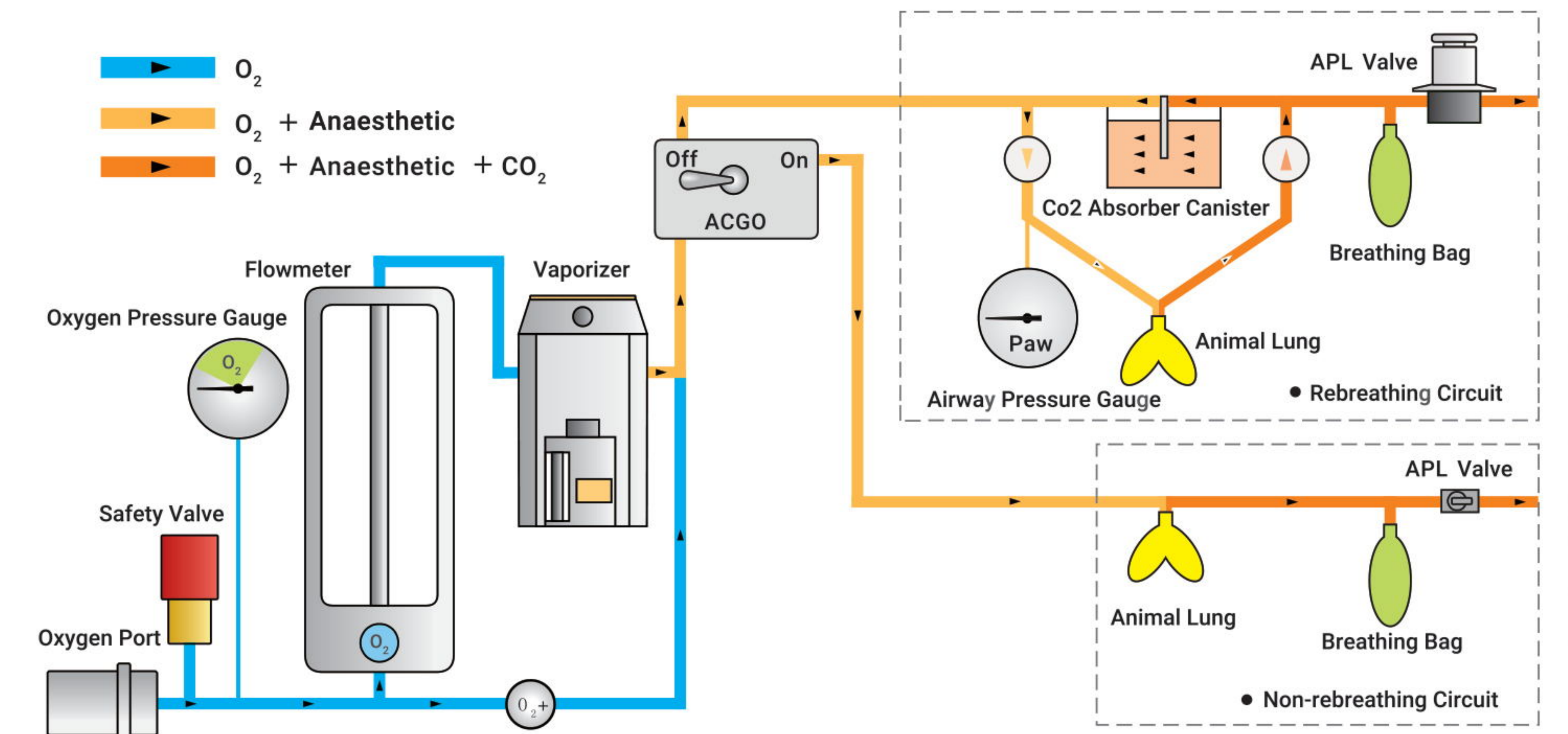
Specifications of Gas Circuit System	
Source Gas	Oxygen
Air Source Pressure Range	280-600kpa/40-87psi
Port Type	NIST/DISS
Air Source Pressure Gauge	0-1Mpa/0-140psi
Air Source Safety Valve	Built-in
Flowmeter Adjustment Range	0-4L/min(single tube oxygen flowmeter)
Vaporizer Base	Single tank position, Selectatec

Respiratory System Specifications	
Airway Pressure Gauge	-20cmH2O~100cmH2O
APL Valve	Adjustment range: 0 ~ 70cmh2o, with one key closing button
CO2 Absorber Canister	Volume 1400ml

Specifications	
Dimensions	Anesthesia Machine without stand: Height 385mm, Width 405mm, Length 265mm
	Anesthesia Machine with stand: Height 1230mm, Width 510mm, Length 470mm
Weight	≤ 10kg (not include stand, vaporizer and other accessories)
	≤ 14kg (include vaporizer, not include stand and other accessories)
	≤ 22kg (include stand, vaporizer and other accessories)
Maximum Load on Top	10 kg
Handle	Single handle, located in the middle of the top

Vaporizer	
Vaporizer Types (Dosing method)	Isoflurane (Pour-Fill, Key-Fill, Easy-Fill) Enflurane (Pour-Fill, Key-Fill, Easy-Fill) Sevoflurane (Pour-Fill, Key-Fill, Easy-Fill, Quick-Fil)
Weight	Empty state: 4kg±0.3kg Full drug state: 5kg±0.3kg
Volume	Core drying: 300ml~360ml Core wetting: 240ml~300ml Between the maximum and minimum tick marks: 200ml~260ml
Concentration Range	Isoflurane: 0-5vol,% Enflurane: 0-5vol,% Sevoflurane: 0-8vol,%
Concentration Accuracy	±0.25vol,% or set value±20%, whichever is greater

OPERATION PRINCIPLE



Note: Selectatec® is a registered Trademark of GE

TOOTO MEDITECH CO., LTD.